

Digital I/O Card

Product Overview:

The Digital I/O Card is a versatile interface device designed to provide digital input and output capabilities for various applications. It allows users to control and monitor digital signals, enabling integration with different systems and devices.

Key Features:

- Multiple digital input and output channels.
- High-speed digital signal processing.
- Compatibility with a wide range of voltage levels.
- Compact form factor for easy integration.
- Robust construction for industrial environments.
- User-configurable options for flexible operation.
- Green LEDs for input status, Red LEDs for Output Status

Applications:

- Industrial automation.
- Process control systems.
- Data acquisition.
- Test and measurement.
- Robotics.
- Home automation.

Technical Specification:

- Operating Voltage: 24V DC
- Input Voltage Range: 24V DC
- Output Voltage Range: 10A, 250V AC/30V DC , SPDT 5A 30V DC/7.5A, 250V AC
- Wide operating frequency up to 24 MHz

Mechanical Specifications:

- **Dimensions:** 205mm (L) X 100mm (W) X 60mm (H)
- **Weight:** 450 grams
- **Mounting:** DIN Rail

Environmental Specifications:

- **Operating Temperature:** -40 °C to +105 °C.
- **Humidity:** 10% to 90% RH (non-condensing)
- Strong ESD and EFT immunity
 - ESD HBM pass 8 kV
 - EFT ± 4.4 kV
 - Latch-up pass 150 mA

Digital Input Output Specifications:

- Number of Digital Inputs: 8
- Input Voltage Levels: TTL/CMOS compatible
- Number of Digital Outputs: 8
- Output Voltage Levels: TTL/CMOS compatible
- Maximum Output Current: 80uA/MHz
- Output Protection: Short-circuit protection.

Software Support :

- Operating Systems: Windows, Linux, macOS
- Programming Languages: C
- Software: Keil MDK, IAR EWARM, NuEclipse
- **Download links**

Keil MDK: <https://www.keil.com/demo/eval/arm.html>

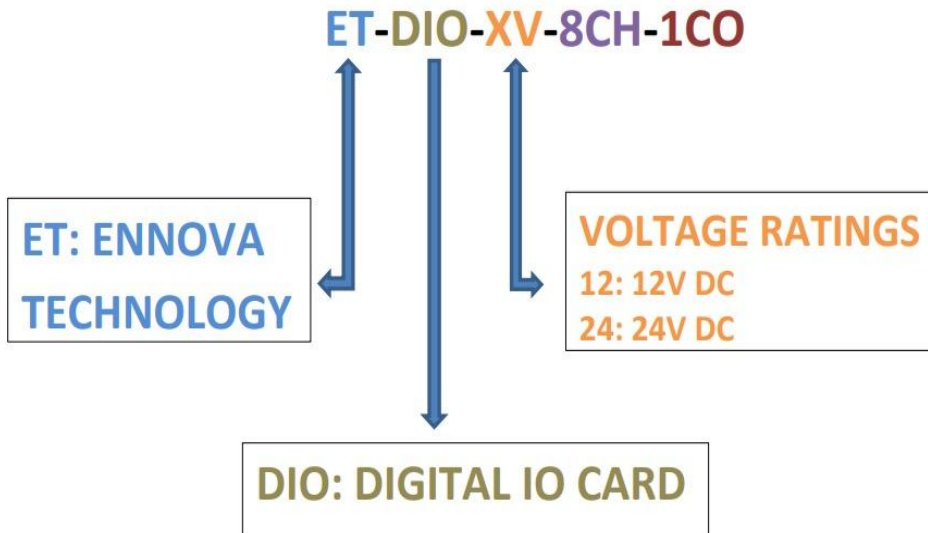
NuEclipse: <https://www.nuvoton.com/tool-and-software/ide-and-compiler/>

Configuration and Setup:

- **Configuration Options:** Software-based configuration utility
- **Setup Procedures:** Quick-start guide provided
- **Example Configurations:** Sample code and configurations available for reference



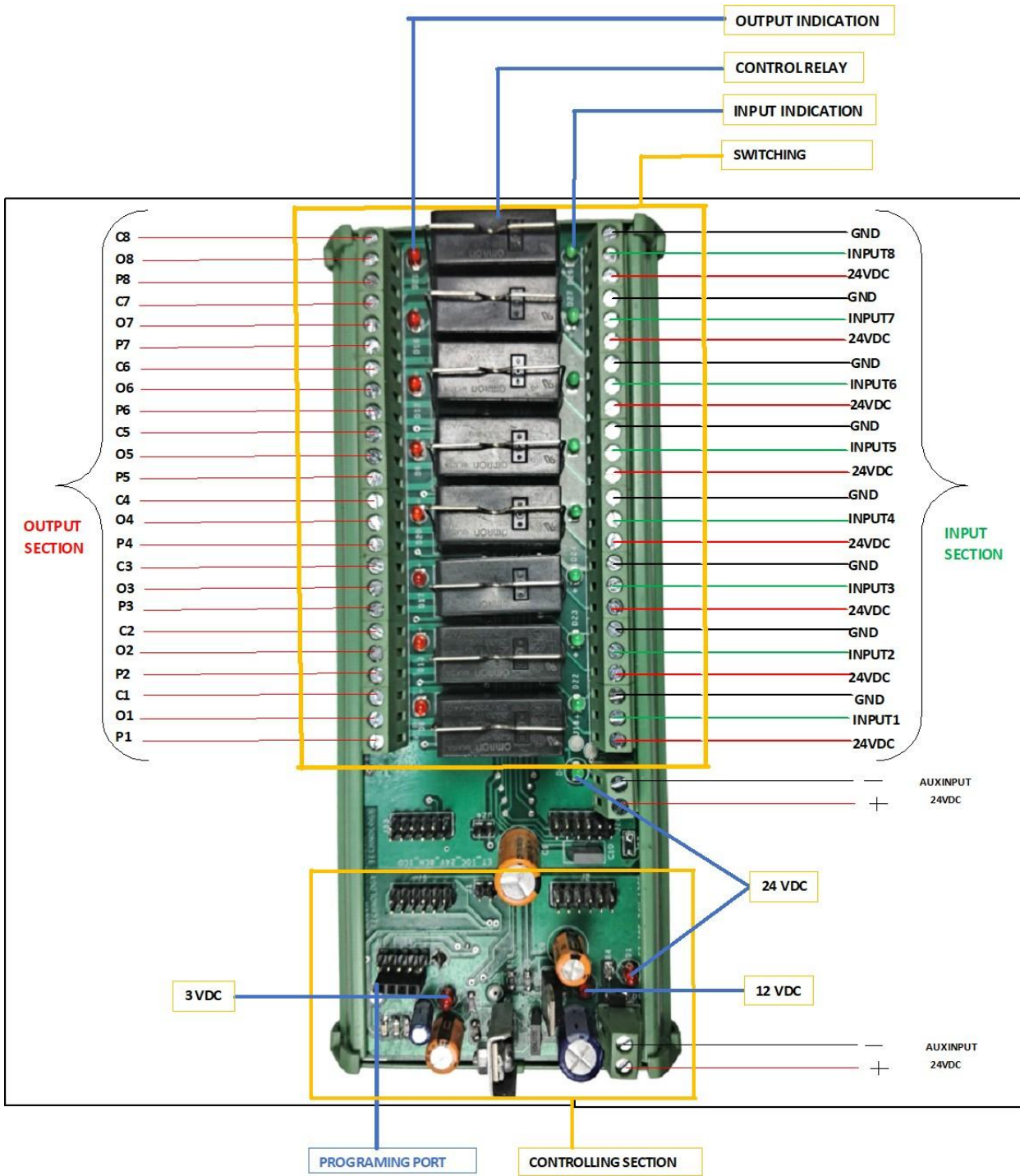
PART INFORMATION:



PRODUCTS:

DIGITAL IO CARDS		
Sr.No	PRODUCT	ITEM CODE
1	24VDC 1C0 8CH DIGITAL IOCARD	ET-DIO-24V-8CH-1CO
2	12VDC 1C0 8CH DIGITAL IOCARD	ET-DIO-12V-8CH-1CO

DIGITAL IO CARD:



DIGITAL IO CARD:

